

## ELECTRIC SERIES SCISSOR LIFTS

# 0407SE

Compliance with ISO/CE/EAC/AS1418 standards

### Model 0407SE

#### Dimensions

Max Working Height (Indoor/Outdoor)	6.5m/5.8m (21'4"/19')
A Max Platform Height (Indoor/Outdoor)	4.5m/3.8m (14'9"/12'6")
B Max Horizontal Extension	0.6m (2')
C Length-Stowed	1.42m (4'8")
D Width-Stowed	0.76m (2'6")
E Height-stowed (Rail Folded)	1.67m (5'6")
E Height-stowed (Rail Unfolded)	1.97m (6'6")
F Wheelbase	1.11m (3'8")
Ground Clearance (Pothole Guard Stowed)	0.061m (2.4")
Ground Clearance (Pothole Guard Deployed)	0.02m (0.75")
Platform Dimensions (LxWxH)	1.34m x 0.7m x 1.1m (4'5"x2'4"x3'7")

#### Performance

Platform Allowable Occupants	2 persons (indoor) 1 person (outdoor)
Platform capacity	240kg (529lbs)
Lift Extension Capacity	115kg (254lbs)
Drive Speed-Stowed	4km/h (2.5mph)
Drive Speed-Raised	0.8km/h (0.5mph)
Lift Time (Unloaded)	20s~ 23s
Descent Time (Unloaded)	25s~27s
Gradeability	25%
Turning Radius (Inside/Outside)	0.3m/1.35m (1'/4'5")
Tilt Rating (Front to Back/Side to Side)	3°/1.5°
Tyre Size/Type	255x76mm (10x3")/solid

#### Power

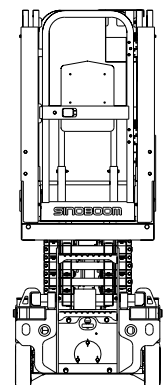
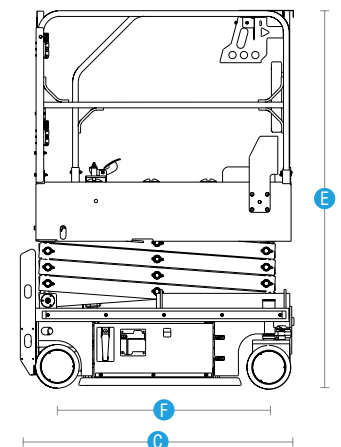
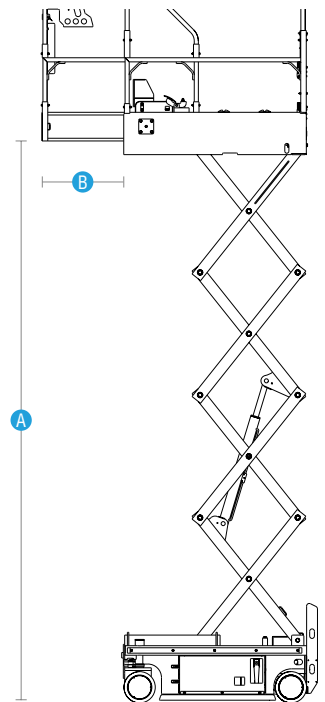
Batteries	2x12 V, 115 Ah
Power Source	24V DC
Drive Mode	Motor, Front wheel
Charger Input	100~240V AC
Charger Output	15A
Hydraulic Tank Capacity	4L (0.9 gal (UK))/1.05 gal (US))

#### Weight

Weight	880kg (1,941lbs)
--------	------------------

Standards

ISO/CE/EAC/AS1418



We reserve the right to make specification changes without notification. The above represents the current specifications at time of publication. 02. 2022